

DVR-204U-M1 TURBO HD DVR

Key Feature

- Deep learning based human and vehicle targets classification of Motion Detection 2.0
- H.265 Pro+/H.265 Pro/H.265/H.264+/H.264 video compression
- HDTVI/AHD/CVI/CVBS/IP video inputs
- Audio via coaxial cable
- Up to 6-ch IP camera inputs (up to 8 MP)
- Up to 8 MP@8 fps encoding capability



Smart Function

- Deep learning based human and vehicle targets classification of Motion Detection 2.0

Compression and Recording

- H.265 Pro+ video compression improves encoding efficiency, and reduces data storage costs
- Support 8 MP@8 fps encoding

Storage and Playback

- 1 SATA interface (up to 10 TB capacity)
- Smart search for efficient playback

Network & Ethernet Access

- Compatible with major Wi-Fi dongle products in the market
- HiLookVision & DDNS (Dynamic Domain Name System) for easy network management

▪ Specification

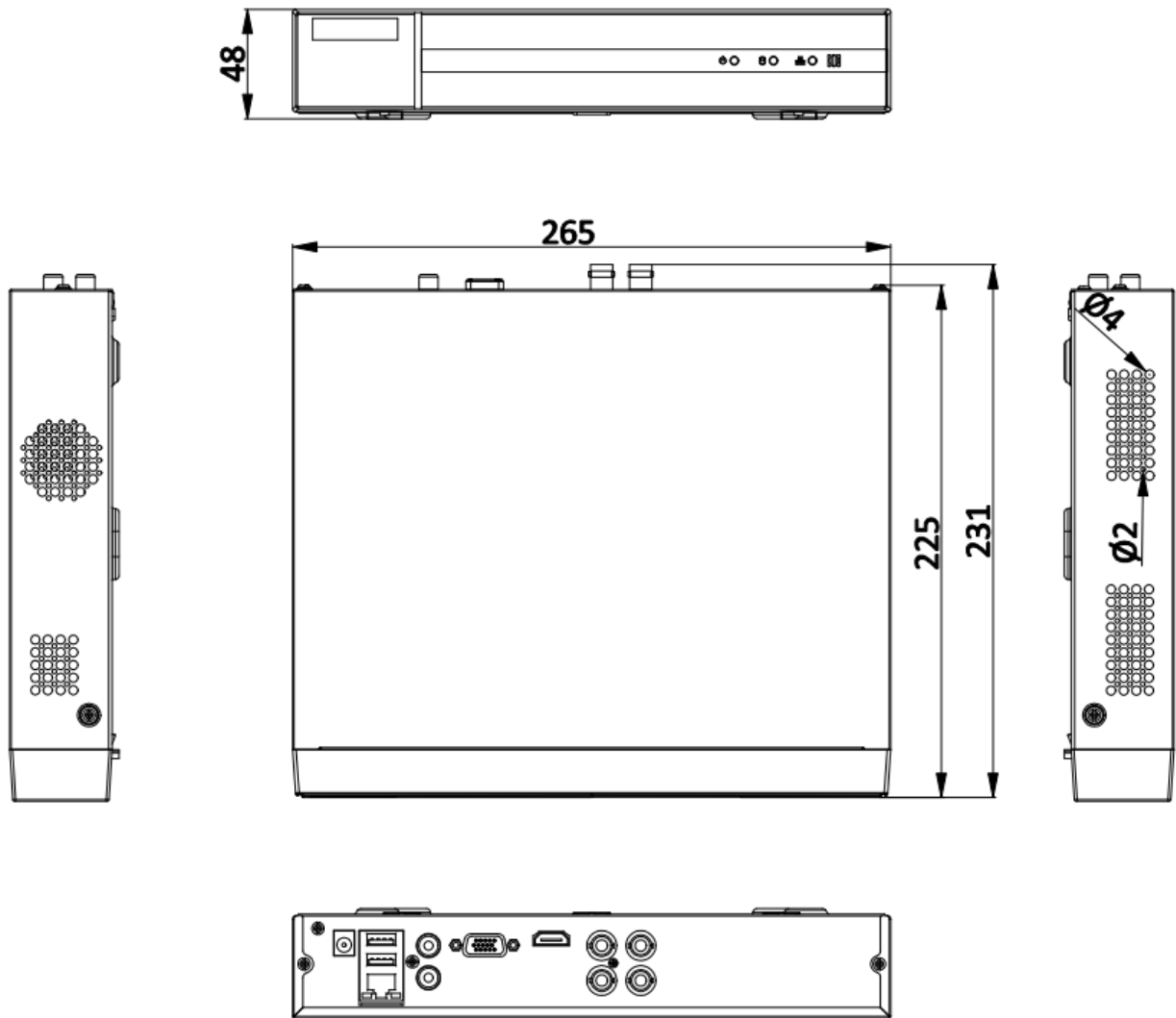
| Motion Detection 2.0 | |
|------------------------|---|
| Human/Vehicle Analysis | <p>Deep learning-based motion detection 2.0 is enabled by default for all analog channels, it can classify human and vehicle, and extremely reduce false alarms caused by objects like leaves and lights;</p> <p>Quick search by object or event type is supported;</p> |
| Recording | |
| Video Compression | H.265 Pro+/H.265 Pro/H.265/H.264+/H.264 |
| Encoding Resolution | 8 MP/5 MP/3K/4 MP/3 MP/1080p/720p/WD1/4CIF/VGA/CIF |
| Frame Rate | <p>Main stream:</p> <p>8 MP@8 fps/3K@12 fps/5 MP@12 fps/4 MP@15 fps/3 MP@18 fps</p> <p>1080p/720p/WD1/4CIF/VGA/CIF@25 fps (P)/30 fps (N)</p> <p>*: 8 MP@8 fps is only available for channel 1.</p> <p>Sub-stream:</p> <p>WD1/4CIF/CIF@25 fps (P)/30 fps (N)</p> |
| Video Bitrate | 32 Kbps to 10 Mbps |
| Dual-stream | Support |
| Stream Type | Video, Video & Audio |
| Audio Compression | G.711u |
| Audio Bitrate | 64 Kbps |
| Video and Audio | |
| IP Video Input | <p>2-ch (up to 6-ch)</p> <p>Enhanced IP mode on:</p> <p>4-ch (up to 8-ch), each up to 4 Mbps</p> <p>Up to 8 MP resolution</p> <p>Support H.265+/H.265/H.264+/H.264 IP cameras</p> |
| Analog Video Input | <p>4-ch</p> <p>BNC interface (1.0 Vp-p, 75 Ω), supporting coaxitron connection</p> |
| HDTVI Input | <p>8 MP(3840 × 2160)@15 fps, 8 MP(3840 × 2160)@12 fps, 3K(2960 × 1665)@20 fps, 5 MP(2560 × 1944)@20 fps, 5 MP(2560 × 1944)@12 fps, 4 MP(2560 × 1440)@30 fps, 4 MP(2560 × 1440)@25 fps, 3 MP@18 fps, 1080p@30 fps, 1080p@25 fps, 720p@30 fps, 720p@25 fps</p> |
| AHD Input | <p>5 MP(2560 × 1944)@20 fps, 5 MP(2560 × 1944)@12 fps, 4 MP(2560 × 1440)@30 fps, 4 MP(2560 × 1440)@25 fps, 1080p@30 fps, 1080p@25 fps, 720p@30 fps, 720p@25 fps</p> |

| | |
|----------------------------|--|
| HDCVI Input | 8 MP(3840 × 2160)@15 fps, 8 MP(3840 × 2160)@12 fps, 5 MP(2592 × 1944)@20 fps, 4 MP(2560 × 1440)@30 fps, 4 MP(2560 × 1440)@25 fps, 1080p@30 fps, 1080p@25 fps, 720p@30 fps, 720p@25 fps |
| CVBS Input | PAL/NTSC |
| HDMI Output | 1-ch, 1920 × 1080/60Hz, 1280 × 1024/60Hz, 1280 × 720/60Hz, 1024 × 768/60Hz |
| VGA Output | 1-ch, 1920 × 1080/60Hz, 1280 × 1024/60Hz, 1280 × 720/60Hz, 1024 × 768/60Hz |
| Video Output Mode | HDMI/VGA simultaneous output |
| Audio Input | 1-ch, RCA (2.0 Vp-p, 1 KΩ) 4-ch via coaxial cable |
| Audio Output | 1-ch, RCA (Linear, 1 KΩ) |
| Two-Way Audio | 1-ch, RCA (2.0 Vp-p, 1 KΩ) (using the first audio input) |
| Synchronous Playback | 4-ch |
| Network | |
| Total Bandwidth | 96 Mbps |
| Remote Connection | 32 |
| Network Protocol | TCP/IP, PPPoE, DHCP, HiLookVision, DNS, DDNS, NTP, SADP, NFS, iSCSI, UPnP™, HTTPS, ONVIF |
| Network Interface | 1, RJ45 10M/100M self-adaptive Ethernet interfac |
| Wi-Fi | Connectable to Wi-Fi network by Wi-Fi dongle through USB interface |
| Auxiliary Interface | |
| SATA | 1 SATA interface |
| Capacity | Up to 10 TB capacity for each disk |
| Alarm In/Out | N/A |
| USB Interface | 2 × USB 2.0 |
| General | |
| Power Supply | 12 VDC, 1.5 A |
| Consumption | ≤ 15 W (without HDD) |
| Working Temperature | -10 °C to +55 °C (+14 °F to +131 °F) |
| Working Humidity | 10% to 90% |
| Dimension (W × D × H) | 260 × 222 × 45 mm (10.2 × 8.7 × 1.8 inch) |
| Weight | ≤ 1.16 kg (without HDD, 2.6 lb.) |

Note:

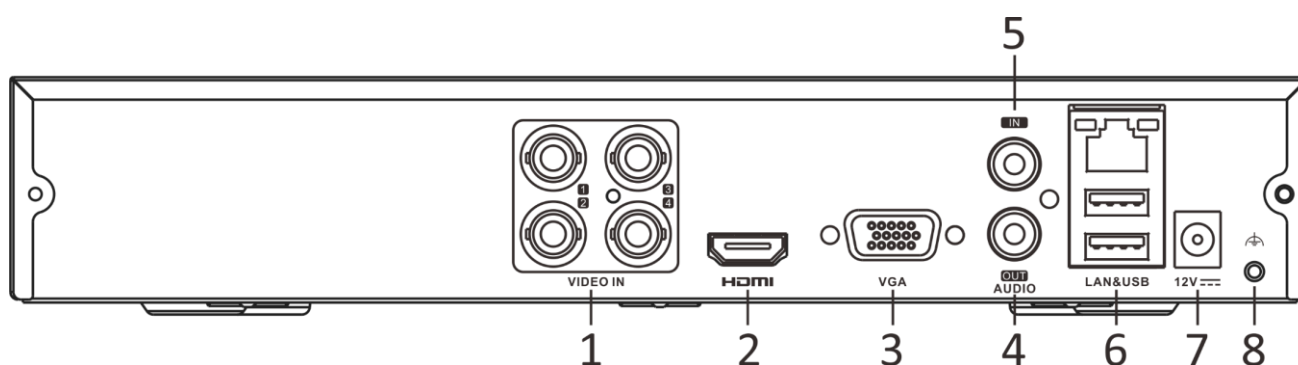
Enhanced IP mode might be conflicted with smart events (motion detection 2.0) or other functions, please refer to the user manual for details.

Dimension



scale/1:1;Unit/mm

Physical Interface



| No. | Description | No. | Description |
|-----|----------------------------|-----|---|
| 1 | Video and coaxial audio in | 5 | AUDIO IN, RCA connector |
| 2 | HDMI interface | 6 | LAN network interface and USB interface |
| 3 | VGA interface | 7 | 12 VDC power input |
| 4 | AUDIO OUT, RCA connector | 8 | GND |

Available Model

DVR-204U-M1



Headquarters

No.555 Qianmo Road, Binjiang District,
Hangzhou 310051, China
T +86-571-8807-5998

Technical Support: support@hikvision.com

Follow us on social media to get the latest product and solution information.



Hikvision



HikvisionHQ



HikvisionHQ



Hikvision_Global



Hikvision
Corporate Channel



hikvisionhq