

## DS-2CE70D0T-ITMF 2 MP Camera



### Key Feature

- 2 MP, 1920 × 1080 resolution
- 2.8 mm, 3.6 mm, 6 mm fixed focal lens
- Smart IR, up to 20 m IR distance
- 4 in 1 video output (switchable TVI/AHD/CVI/CVBS)
- IP67



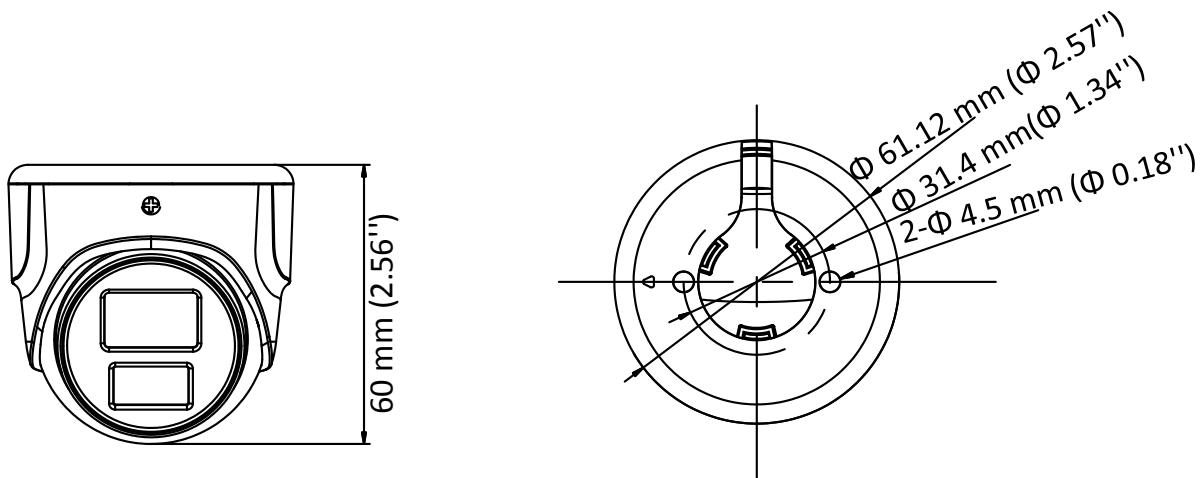
## Specification

| <b>Camera</b>            |  |
|--------------------------|--|
| Image Sensor             | 2 MP CMOS  |
| Signal System            | PAL/NTSC   |
| Effective Pixels         | 1920 (H) × 1080 (V)  |
| Frame Rate               | TVI: 1080P@25fps, 1080P@30fps<br>AHD: 1080P@25fps, 1080P@30fps<br>CVI: 1080P@25fps, 1080P@30fps<br>CVBS: P/N |
| Min. Illumination        | 0.01 Lux@(F1.2, AGC ON), 0 Lux with IR   |
| Shutter Time             | PAL:1/25 s to 1/50,000 s<br>NTSC:1/30 s to 1/50,000 s  |
| Lens                     | 2.8 mm, 3.6 mm, 6 mm fixed lens  |
| Horizontal Field of View | 106° (2.8 mm), 80° (3.6 mm), 51° (6 mm)  |
| Lens Mount               | M12  |
| Day & Night              | ICR  |
| WDR                      | Digital WDR  |
| Angle Adjustment         | Pan: 0° to 360°, Tilt: 0° to 80°, Rotation: 0° to 360°   |
| <b>Menu</b>              |  |
| Image Mode               | STD/HIGH-SAT   |
| AGC                      | Yes  |
| Day/Night Mode           | Auto/Color/BW (Black and White)  |
| White Balance            | Auto   |
| AE (Auto Exposure) Mode  | Global/BLC/HLC/DWDR  |
| Noise Reduction          | 2D DNR   |
| Language                 | English  |
| Function                 | Brightness, Sharpness, Mirror, Smart IR  |
| <b>Interface</b>         |  |
| Video Output             | Switchable TVI/AHD/CVI/CVBS  |
| <b>General</b>           |  |
| Operating Conditions     | -40 °C to 60 °C (-40 °F to 140 °F), humidity: 90% or less (non-condensing)                                   |
| Power Supply             | 12 VDC ± 25%<br><i>*You are recommended to use one power adapter to supply the power for one camera.</i>     |
| Power Consumption        | Max. 3.6 W   |
| Protection Level         | IP67   |
| Material                 | Metal  |
| IR Range                 | Up to 20 m   |
| Communication            | HIKVISION-C  |
| Dimensions               | Φ 61.12 mm × 60 mm (Φ 2.57" × 2.56")   |
| Weight                   | 160 g (0.35 lb.)   |

**Order Model**

DS-2CE70D0T-ITMF

**Dimension**



Distributed by



**HIKVISION**

**Headquarters**

No.555 Qianmo Road, Binjiang District,  
Hangzhou 310051, China  
T +86-571-8807-5998  
overseasbusiness@hikvision.com

**Hikvision USA**  
T +1-909-895-0400  
sales.usa@hikvision.com

**Hikvision Europe**  
T +31-23-5542770  
sales.eu@hikvision.com

**Hikvision UK & Ireland**  
T +01628-902140  
sales.uk@hikvision.com

**Hikvision UAE**  
T +971-4-4432090  
salesme@hikvision.com

**Hikvision Russia**  
T +7-495-669-67-99  
saleru@hikvision.com

**Hikvision Australia**  
T +61-2-8599-4233  
salesau@hikvision.com

**Hikvision Italy**  
T +39-0438-6902  
info.it@hikvision.com

**Hikvision South Africa**  
Tel: +27 (10) 0351172  
sale.africa@hikvision.com

**Hikvision Singapore**  
T +65-6684-4718  
sg@hikvision.com

**Hikvision Korea**  
T +82-(0)31-731-8817  
sales.korea@hikvision.com

**Hikvision India**  
T +91-22-28469900  
sales@pramahikvision.com

**Hikvision Brazil**  
T +55 11 3318-0050  
Latam.support@hikvision.com

**Hikvision France**  
T +33(0)1-85-330-450  
info.fr@hikvision.com

**Hikvision Spain**  
T +34-91-737-16-55  
info.es@hikvision.com

**Hikvision Poland**  
T +48-22-460-01-50  
info.pl@hikvision.com

**Hikvision Canada**  
T +1-866-200-6690  
sales.canada@hikvision.com

**Hikvision Turkey**  
T +90 (216)521 7070- 7074  
sales.tr@hikvision.com

**Hikvision Kazakhstan**  
T +7-727-9730667  
nikia.panfilov@hikvision.ru

**Hikvision Tashkent**  
T +99-87-1238-9438  
uzb@hikvision.ru

**Hikvision Indonesia**  
T +62-21-2933759  
Sales.Indonesia@hikvision.com

**Hikvision Thailand**  
T +662-275-9949  
sales.thailand@hikvision.com

**Hikvision Malaysia**  
T +601-7652-2413  
sales.my@hikvision.com

**Hikvision Vietnam**  
T +84-974270888  
sales.vt@hikvision.com

**Hikvision Hong Kong**  
T +852-2151-1761  
info.hk@hikvision.com

**Hikvision Colombia**  
sales.colombia@hikvision.com